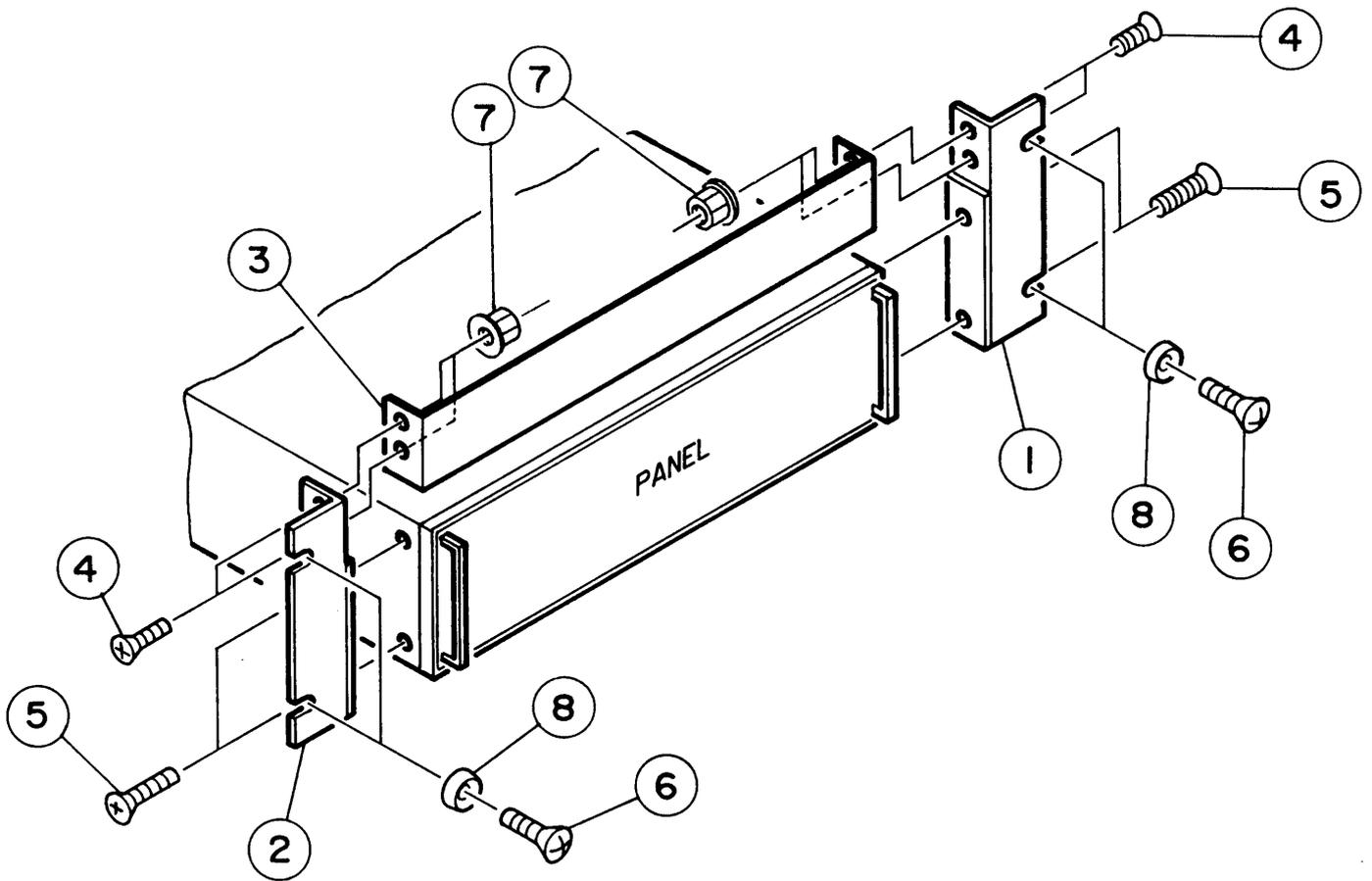


BRACKET BH4A



NO.	DESCRIPTION	QTY	CODE NO.
1	BRACKET RIGHT BH4A	1	D3-924-901
2	BRACKET LEFT BH4A	1	D3-924-902
3	BLANK PANEL FOR BH4A	1	D3-924-903
4	SCREW, FLAT HEAD M3x0.5x10 S-ZN	4	M2-001-101
5	SCREW, FLAT HEAD M4x0.7x16 S-ZN	4	M2-001-171
6	SCREW, OVAL HEAD M5x0.8x14 B-NI	4	M2-002-091
7	FLANGE NUT HEXAGON M3x0.5 S-ZN	4	M4-010-021
8	FINISHING WASHER 5CW	4	M5-003-031
5'	SCREW, FLAT HEAD M4x0.7x10 S-ZN (FOR PLZ700W ONLY)	4	M2-001-161